

• • • • •

15, 49005, ; e-mail: office.itm@nas.gov.ua

() 1933

« »

1933

()

« »

This paper is devoted to the topical problem of the development of silencers for movable-barrel pistols, such as the Tokalev pistol model 1933, the Yarygin pistol, the Glock pistols, etc. Law-enforcement agencies of Ukraine © - 2018. - 4. , 2018

and other countries and military units use pistols of this type due to their design simplicity, ease of use, and relatively small dimensions and mass.

The paper presents the results of the development of new silencers with various baffle elements for short-recoil blowback pistols. The features of three design groups, which differ in the shape of the spreader components: cones, cylindrical bushings, and helicoidal swirling spreaders, are grouped and described. The above-mentioned parts are made of an aluminum alloy. All the devices have identical bodies, covers, and impulse disconnectors made of a titanium alloy.

The features of design solutions are shown, and the design of the internal components is described with reference to their effect on the overall performance depending on their embodiments.

Full-scale tests of the silencers developed were conducted with cartridges of different energy capacities, and the test results showed that:

- the sound suppression efficiency of the silencers compares well with that for the best foreign silencers at comparable dimensions and mass;
- the silencers are less expensive due to the use of advanced technologies in the manufacture of their structural components and the silencers as a whole;
- the silencers completely eliminate muzzle flash;
- the silencers do not affect the automatic operation, firing accuracy, shot grouping, or performance characteristics.

The technical characteristics of the silencers reported in this paper demonstrate their compactness, reliability, and high sound suppression efficiency.

... [1].

(. 1) ... -33 ... () 40- XX ... « » (. 2).



.1-

1933 . ()



.2-

« »

, , -33,

, « » . ,

. . « » , ,

- (.3),



.3-



« »

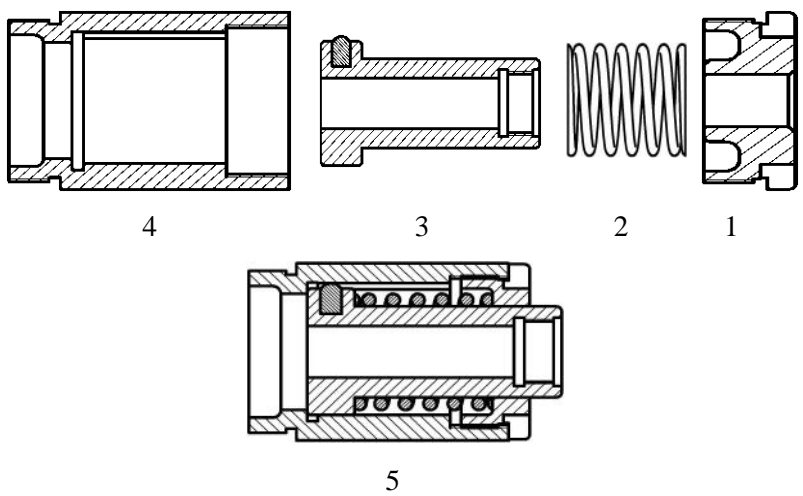
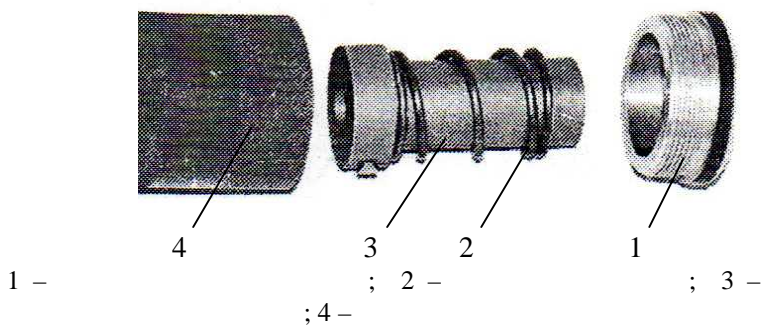
:
.1

1 –

	-33		« »
,	7,62	9,0	9,0
,	7,62×25	9×19	9×19 « - »
,	0,830	0,950	0,605
-	0,945	1,121	0,870
,	193	196	188
,	116	112,5	114
,	28	38	30
,	120	145	138
,	240	–	250
,	4	6	6 (-)
, /	418	465 (7 21), 335 (« »)	350
,	538	551 (7 21), 449 (« »)	490
,	8	18	17
, /	30 – 35	15 – 20	30
,	800 – 1000	–	–
,	50	50	50

(.4, .5) ()

4
3
2
1, -
-
-
-
-
-
-
-
-
-
-



1 - ; 2 - ; 3 - -
; 4 - ; 5 -
.5 -

(5-8)

3

2,

(.6).



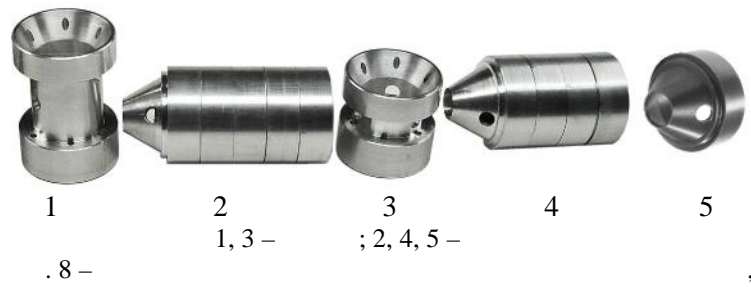
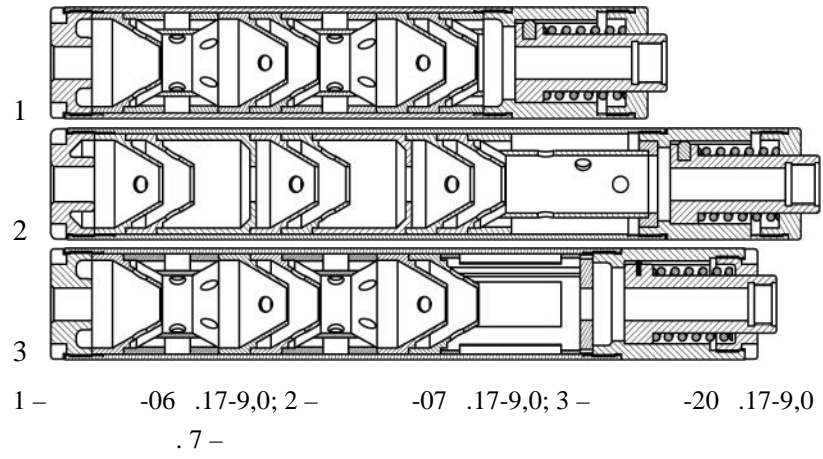
.6-

-20 .17-9,0 (.7, .2), -06 .17-9,0 , -07 .17-9,0
 (.8),

Ø10,2 (33×1 ,). (6 .)
 Ø5 , 30
 , 15 , -
 6 3 Ø5 , -

Ø2 . -20 .17-9,0
 (5 .) Ø5 30 ,

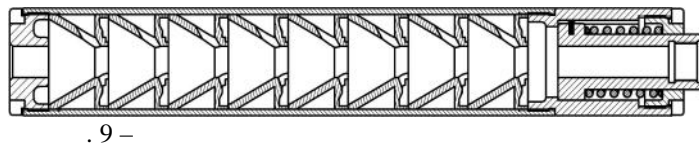
45 , 14×33 ² . 4



2-

-06 .17-9,0	Ø35×195	300	20
-07 .17-9,0	Ø35×230	370	30
-20 .17-9,0	Ø35×235	315	30

- -24 .17-9,0 (.9, .10, .3), -
 (8 .).
 4,5 Ø30,8 ,
 Ø6 , 62° Ø3,0 .
 Ø5 .





1



2

1 - ; 2 -

. 10 -

3 -

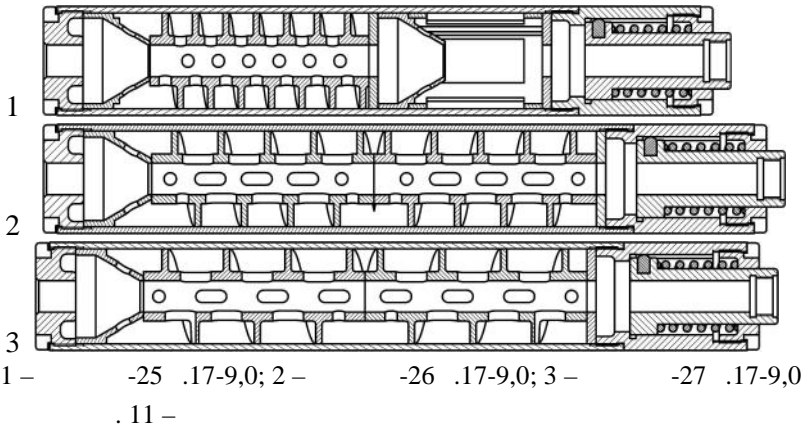
-24 .17-9,0	Ø35×230	350	34

(. 11, . 12, . 4). -25 .17-9,0 -

(2 .)

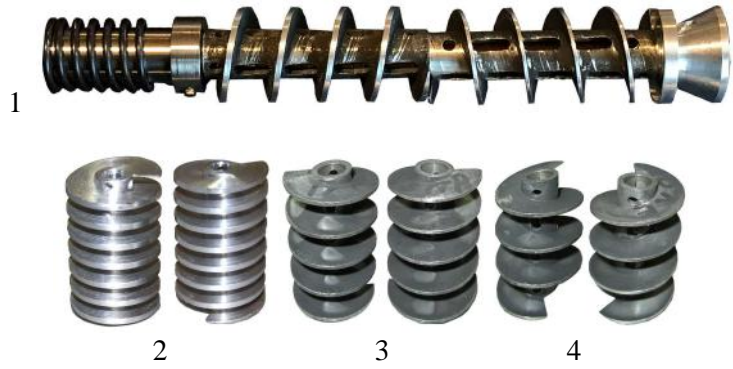
Ø5 : 45,0
14,0×33²; 15,0

Ø2 . - 10 ,
72,0 7 90° (28 .). Ø4,0 -



1 - -25 .17-9,0; 2 - -26 .17-9,0; 3 - -27 .17-9,0
. 11 -

- 72,0 , -26 .17-9,0 15,0 . ,
90° . 4 , -
8×4² . -



1 – ; 2 – 10 ; 3 – 15 ;
 4 – 20
 .12 – ,
 -27 .17-9,0
 72,0 , 20,0 . ,
 - 90° . 4 ,
 12×4 2. -
 (-24 .17-9,0).

4 –

-25 .17-9,0	Ø35×226	335	32
-26 .17-9,0	Ø35×241	370	32
-27 .17-9,0	Ø35×230	330	34

– . 2 – . 4,
 2017 2018
 « -17». Ti-RANT-9
 AAC (Advanced Armament Corp.)
 (. 5),
 -24 .17-9,0 , -26 .17-9,0.
 ,
 , [2 – 10].
 ~(25,0 – 30,0) [11 – 15].

				\$
AAC Ti-Rant-9	Ø35 ×197 244,0	Grade 9 Ti, 17-4PH SS, 7075-T6	35,0	850,0
AAC Ti-Rant-9S	Ø35 ×129 215,5	Grade 9 Ti, 17-4PH SS, 7075-T6	22,0	795,0
AAC Ti-Rant-9M	Ø35,5 ×203 255,0	Grade 9 Ti, 17-4PH SS, 7075-T6	32,0	399,9
Gemtech GM-9	Ø31,75 ×198 170,0	7075 -	30,0	699,0

(. 6).

	22 35	20 34
	Ø31,75×198 Ø35,6×203	Ø35,0×195,0 Ø35,0×241,0
	170,0 255,0	300,0 370,0

1. « . 2003. 28. . 35-39.

2. 450 : , 2011. 256 .
3. : , 2008. 608 .
4. [.] . – URL: <https://zbroya.info/ru/blog/>.
5. [.] . – URL: www.silencerresearch.com/free_9mm_silencer.re-views.htm&.
6. , 2009. 2. . 32–35.
7. , 2008. 303 .
8. *Parker N. R.* Firearm Suppressor Patents. Volume 1. USA, Boulder, Colorado, Paladin Press. 2004. 392 p.
9. *Paulson Alan C.* Silencer. History and Performance. Volume 1. Sporting and Tactical Silencers. USA, Boulder, Colorado, Paladin Press, 1996. 412 p.
10. *Paulson Alan C., Parker N. R. and Peter G. Kokalis,* Silencer. History and Performance. Volume 2. GQB. Assault Rifle, and Sniper Technology, USA, Boulder, Colorado, Paladin Press. 2002. 429 p.
11. *Huebner Siegfried F.* Silencers for Hand Firearms. USA, Paladin Press, 1976. 97 p.
12. , 2009. 2. . 36–45.
13. [.] . – URL: <https://gunblog.com/aac-ti-rant-9s>.
14. [.] . – URL: https://gemtech.com/silencers/pistols.html?product_list_order=price
15. [.] . – URL: www.hamondrifle.com

30.09.2018,
14.12.2018